

Körperschalllautsprecher EXT-2513E21

Art. Nr. 105018

Specification:

NO	ITEM	SPECIFICATION
1	Mechanical Layout & Dimensions	Shown in the Exciter-02.Drw
2	Nominal Impedance	$8\Omega \pm 15\%$ at 1KHZ, 1.0V (D.C.R= $7.6\Omega \pm 10\%$)
3	Input Power	Nom. Input 15W
		Max. Input 20W
4	Operation	7.75Volt (200Hz-20KHz) Sweep Time at 2s
5	Resonant FerQ. F0	$310 \pm 20\%$ HZ (F0 Meter)
6	Flux Density	12000GAUSS $\pm 10\%$
7	Insulation Resistance	No Less than 1M at DC 100V
8	Polarity	When positive voltage is applied to the (+) Terminal, Voice Coil should move out to of the Air gap.
9.	Weight	$250g \pm 10\%$ (Driver weight)
10	Power Test	IEC 268-5 10.95V 48 Hours
11	Heat Resistance	Temperature: $+60^{\circ}\text{C} \pm 2^{\circ}\text{C}$
		Duration: 24 hours
12	Humidity Resistance	Temperature: $+40^{\circ}\text{C} \pm 2^{\circ}\text{C}$
		Relative Humidity: 93(+2/-3)%
		Duration: 48 Hours(GB)
13	Low Resistance	Temperature: $-10^{\circ}\text{C} \pm 3^{\circ}\text{C}$ testing 1 Hours (GB)
		And then $-20^{\circ}\text{C} \pm 3^{\circ}\text{C}$ testing 2 Hours(GB)
14	Dropping Test	$600 \pm 25\text{mm}$ $60^{\circ} \pm 5^{\circ}$ (GB)

Körperschalllautsprecher EXT-2513E21

Art. Nr. 105018

Sample Testing Report:

NO	ITEM	TESTING CONDITIONS	No1	No2	No3	No4	Result
1	Speaker Size	Out Diameter :191.5±0.5*186.5±0.5mm	191.5* 186.5	191.5* 186.5	/	/	OK
2	Impedance	8 Ω ±15 % At 1KHZ,1.0V (D.C.R: 7.6Ω±10%)	7.6	7.6	/	/	OK
3	Resonance Frequency	310Hz±20% (F0 Meter)	310	310	/	/	OK
4	Buzz & Rattle Test	Must Be Normal: Wave7.75V (Form 200Hz To 20KHz)	√	√	/	/	OK
5	Polarity	When a positive D.C voltage is applied To the voice coil terminal marked to Diaphragm should move to the front	√	√	/	/	OK
6	Flux Density	12000GAUSS±10%	12000	12000	/	/	OK
7	Power Test	IEC 268-5 10.95V 48 Hours	√	√	/	/	OK
8	Heat Resistance	Temperature: +60℃ ± 2℃ Duration: 24 Hours	√	√	/	/	OK
9.	Humidity Resistance	Temperature: +40℃ ± 2℃ Relative Humidity: 93(+2/-3)% Duration: 48 Hours(GB)	√	√	/	/	OK
10	Low Temperature	Temperature: -10℃ ± 3℃ testing 1 Hours And then -20℃ ± 3℃ testing 2 Hours(GB)	√	√	/	/	OK
11	Dropping Test	600mm±25mm 60°±5° (GB)	√	√	/	/	OK

Körperschalllautsprecher EXT-2513E21

Art. Nr. 105018

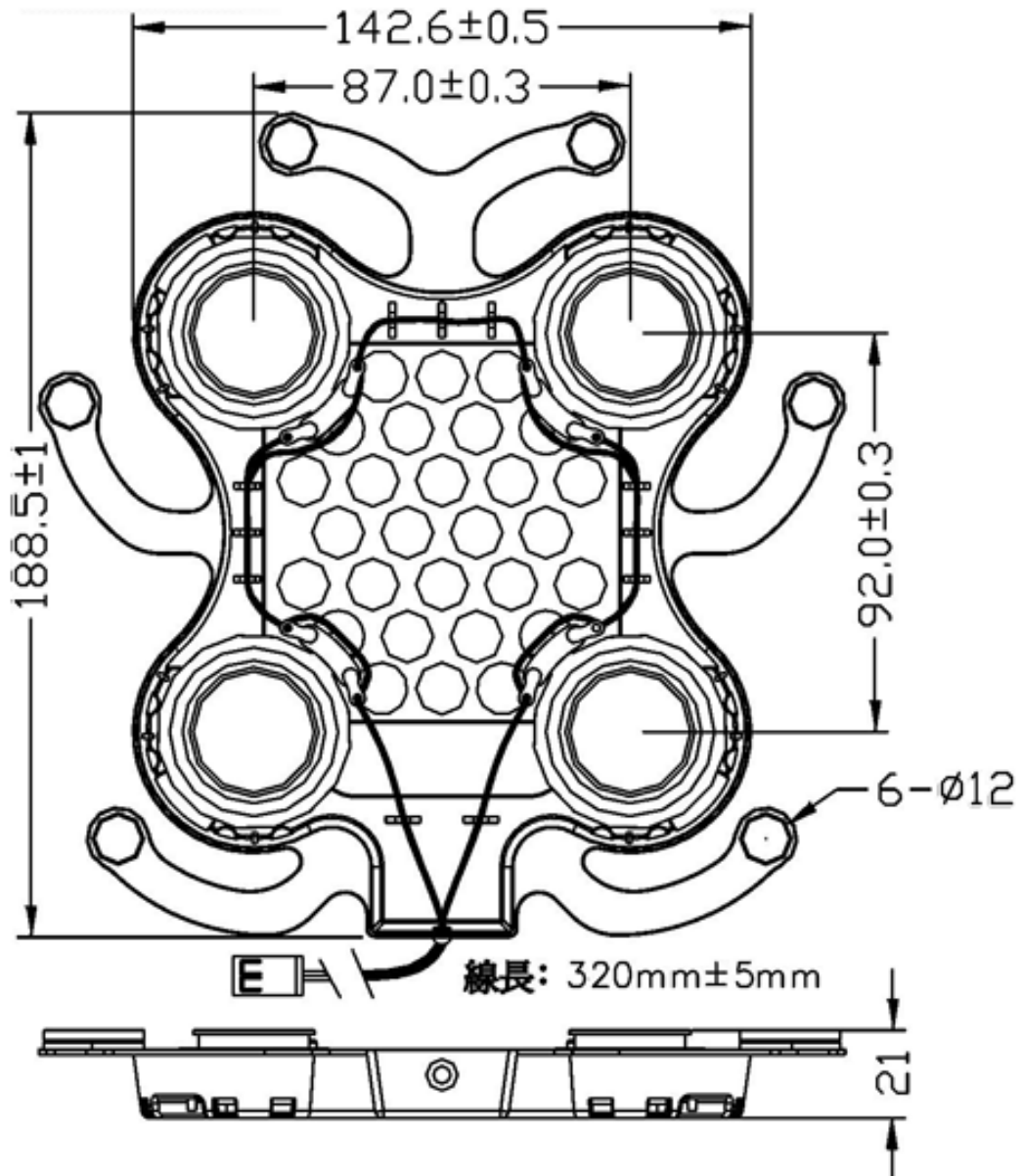
RoHS Substance Confirmation Form:

NO	SUPPLY ITEM		RoHS Substance Inspection Result						Survey Report No (6 Material)
			Cd	Pb	Hg	Cr6+	PBB	PBDE	
	Item	Material	100	100	1000	1000	1000	1000	Ppm
1	磁铁	N35	ND	ND	ND	Negative	ND	ND	ECL01I001310004C
			OK	OK	OK	OK	OK	OK	2016/01/12
2	U 铁	Fe	ND	ND	ND	Negative	ND	ND	SCL01H025547001C
			OK	OK	OK	OK	OK	OK	2015/04/09
3	华 司	Fe	ND	ND	ND	Negative	ND	ND	SCL01H014051001C
			OK	OK	OK	OK	OK	OK	2015/03/10
4	音圈	KSV	ND	ND	ND	ND	ND	ND	KA/2015/91132
			OK	OK	OK	OK	OK	OK	2015/09/25
5	弹 波	/	ND	ND	ND	ND	ND	ND	CEL01I002880001
			OK	OK	OK	OK	OK	OK	2016/01/18
6	端子	/	ND	ND	ND	Negative	ND	ND	CANEC150048631
			OK	OK	OK	OK	OK	OK	2015/01/15
7	众子	ABS	ND	ND	ND	ND	ND	ND	KA/2010/C1706
			OK	OK	OK	OK	OK	OK	2010/01/06

Körperschalllautsprecher EXT-2513E21

Art. Nr. 105018

Dimension:



Körperschalllautsprecher EXT-2513E21

Art. Nr. 105018

